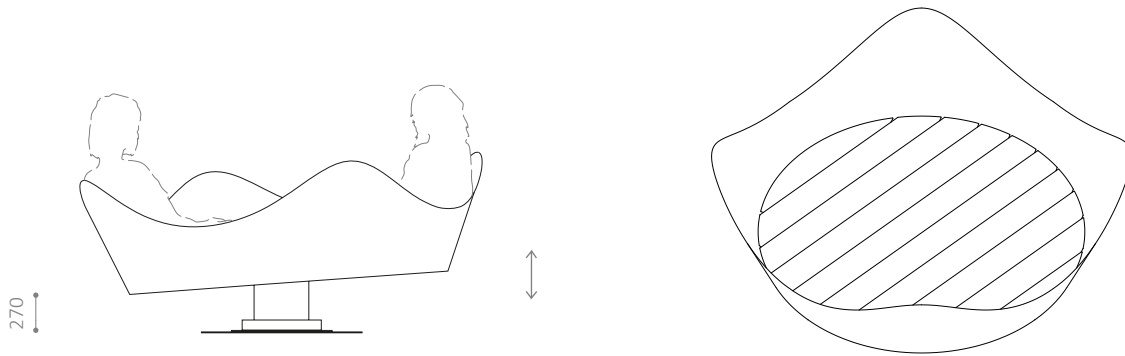
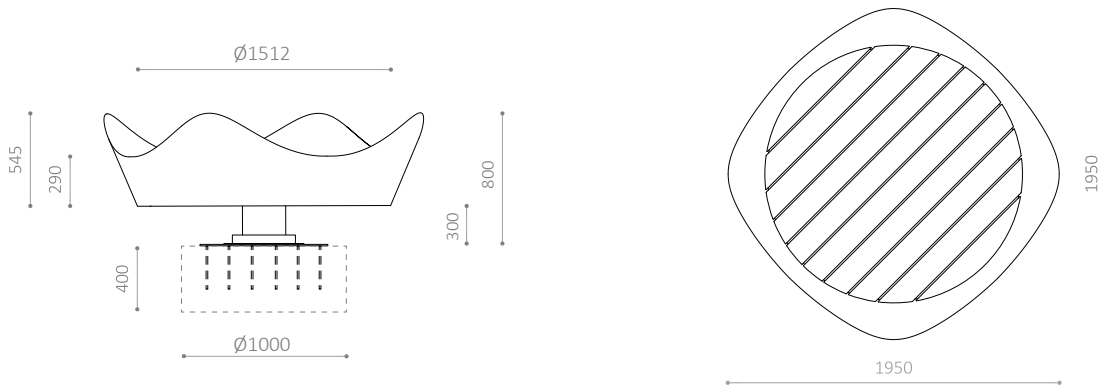


FLOW



FLOW N



FLOW T

